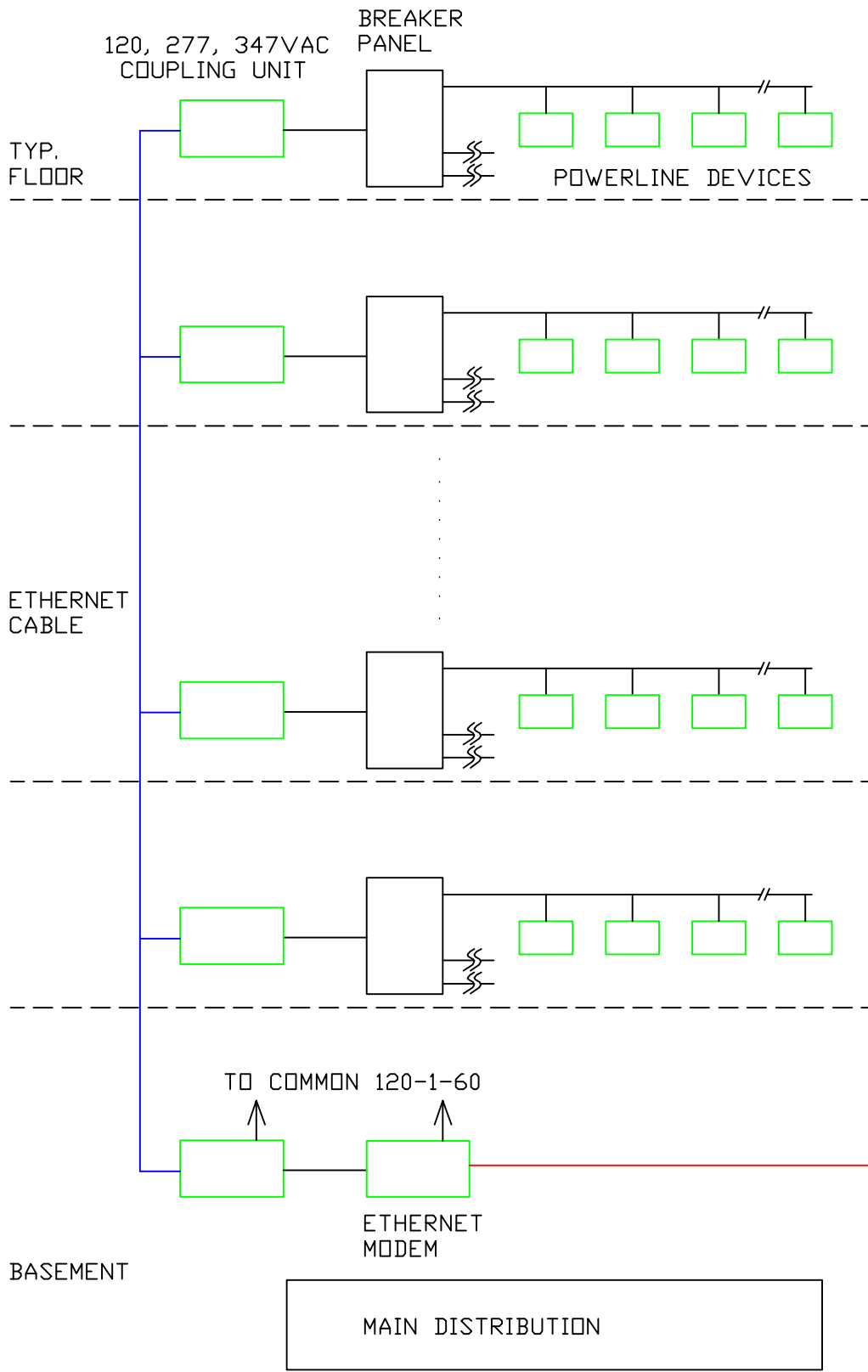


TYPICAL RISER




COUPLING UNIT FROM SYSTEM VOLTAGE TO 24VAC. RED WIRE #18, TWISTED, SHIELDED, 600V RATED

COUPLING UNITS COMBINE 3 PHASES OF THE POWER SOURCE SO THAT A SIGNAL TRANSMITTED ON A CIRCUIT OF ONE PHASE CAN BE READ BY A DEVICE ON A CIRCUIT OF A DIFFERENT PHASE. SIMILARLY IF 120VAC CIRCUITS ARE CONTROLLED, A VOLTAGE COUPLER IS PROVIDED TO TRANSFER THE SIGNAL FROM 347VAC TO 120VAC.

POWERLINE DEVICES INCLUDE FLUORESCENT & INCANDESCENT CONTROL MODULES, PHOTOCELLS, WALL KEYPADS, OCCUPANCY SENSORS ETC.

LAST COUPLING UNIT NEEDS TO BE CONNECTED TO SAME 120-1-60 AS THE MODEM

	JOB NAME:		PROJ NO:		TITLE:					
	TYPICAL RISER WITH PLC DEVICES					BY:	CH:	APP:	DATE:	SCALE: --:--
						FILENAME:			SIZE:	DWG NO: